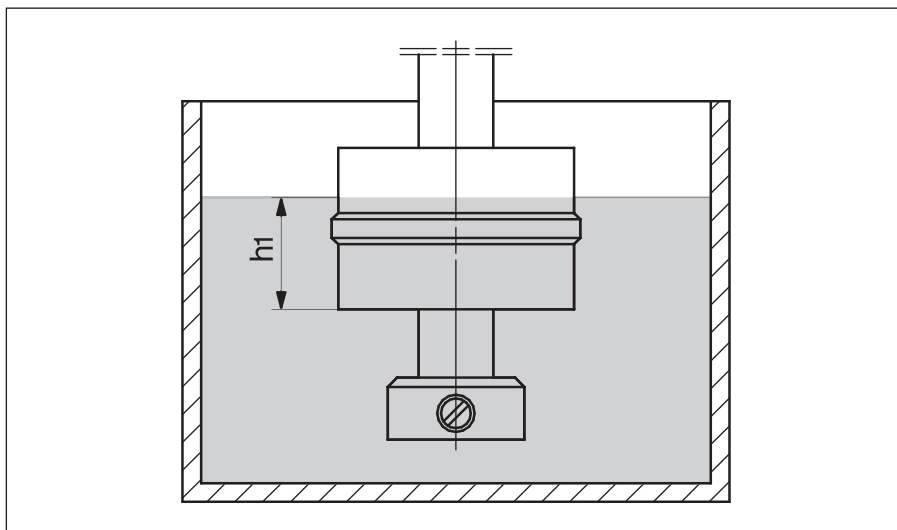


Floats Standard Float Switches



ID lette r	A/M/K
Dimensions (mm)	Ø 40 x 27
Material	POM

Immersion depth h1 (mm)	Density (g/cm ³)
18	1
20	0.9
22,5	0.8
26	0.7

Art. No.: 4945206009



ID lette r	T/C/I
Dimensions (mm)	Ø 30 x 44
Material	PP

Immersion depth h1 (mm)	Density (g/cm ³)
27,5	1
30,5	0.9
34,5	0.8
39,5	0.7

Art. No.: 4945203019



ID lette r	R/S/U
Dimensions (mm)	Ø 30 x 44
Material	NBR

Immersion depth h1 (mm)	Density (g/cm ³)
19,5	1
22	0.9
24,5	0.8
28	0.7

Art. No.: 4945203031



ID lette r	V/L/D
Dimensions (mm)	Ø 42 x 44
Material	PVC

Immersion depth h1 (mm)	Density (g/cm ³)
25	1
27,5	0.9
30,5	0.8
35	0.7

Art. No.: 4945215029



ID lette r	N/P
Dimensions (mm)	Ø 44 x 45
Material	1.4571

Immersion depth h1 (mm)	Density (g/cm ³)
32	1
35	0.9
39	0.8
45	0.7

Art. No.: 4942104002



ID lette r	E/F
Dimensions (mm)	Ø 52
Material	1.4571

Immersion depth h1 (mm)	Density (g/cm ³)
32	1
34	0.9
37	0.8
43	0.7

Art. No.: 4942105003



ID lette r	B/O
Dimensions (mm)	Ø 62
Material	1.4571

Immersion depth h1 (mm)	Density (g/cm ³)
33	1
35	0.9
38	0.8
42	0.7

Art. No.: 4942102001



ID lette r	G/H
Dimensions (mm)	Ø 84
Material	1.4571


Immersion depth h1 (mm)	Density (g/cm ³)
33	1
35	0.9
38	0.8
42	0.7

Art. No.: 4942101004



Floats Adjustable Float Switches

ID lette r	V/L/D
Dimensions (mm)	Ø 52 x 55
Material	PVC
Immersion depth h1 (mm)	Density (g/cm ³)
29	1
32	0.9
36	0.8
42	0.7
Art. No.: 4945216032	




ID lette r	N/P
Dimensions (mm)	Ø 52 x 55
Material	1.4571
Immersion depth h1 (mm)	Density (g/cm ³)
33	1
36	0.9
40,5	0.8
46	0.7
Art. No.: 4942299023	



Floats Miniature Float Switches


ID lette r	K1
Dimensions (mm)	Ø 25 x 21
Material	PP
Immersion depth h1 (mm)	Density (g/cm ³)
12	1
13	0.9
14,5	0.8
16,5	0.7
Art. No.: 4945207021	



ID lette r	K2
Dimensions (mm)	Ø 25 x 21
Material	PVC
Immersion depth h1 (mm)	Density (g/cm ³)
15	1
16	0.9
18,5	0.8
-	0.7
Art. No.: 4945207022	



ID lette r	K4
Dimensions (mm)	Ø 23 x 25
Material	NBR
Immersion depth h1 (mm)	Density (g/cm ³)
16	1
17,5	0.9
19,5	0.8
22	0.7
Art. No.: 4945211024	



ID lette r	K3
Dimensions (mm)	Ø 20 x 20
Material	NBR
Immersion depth h1 (mm)	Density (g/cm ³)
15	1
17	0.9
-	0.8
-	0.7
Art. No.: 4945210020	



ID lette r	N1
Dimensions (mm)	Ø 30
Material	1.4571
Immersion depth h1 (mm)	Density (g/cm ³)
18	1
19	0.9
21	0.8
24	0.7
Art. No.: 4942109018	

